



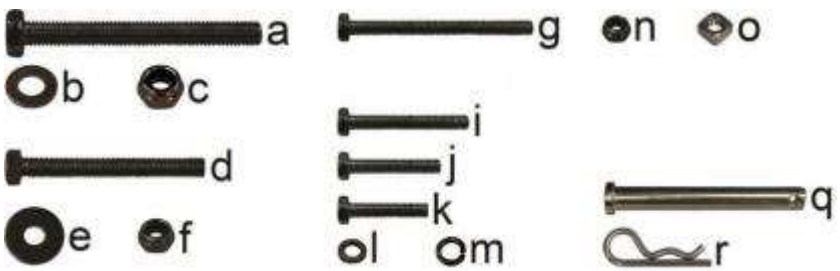
Yamaha Drive
TREX HARMONY COMFORT
Rear Seat Kit
Installation Instructions



Contents of Harmony Rear Seat Kit:

- a (1 ea.) Front Seat Back Support, Passenger Side
- b (1 ea.) Front Seat Back Support, Driver Side
- c (1 ea.) Vertical Support Bracket
- d (1 ea.) Arm Rest, Passenger Side
- e (1 ea.) Arm Rest, Driver Side
- f (1 ea.) Platform
- g (1 ea.) Footplate
- h (1 ea.) Safety Grab Bar
- i (1 ea.) Cushion Set (Not Shown)
- j (1 ea.) Bag of Hardware (Contents on Next Page)

Caution: Please read through the instructions carefully. Installer is responsible for damage if instructions are not followed properly. Look behind each drill or cut location BEFORE YOU DRILL OR CUT. Installer is responsible for damage (i.e. drilling/cutting into a wiring harness, battery, fuel tank etc.). Extra installers will be helpful in some parts of the installation. Refer to vehicle's maintenance manual for torquing specifications on reused hardware.



Contents of TREX Harmony Hardware Kit		QTY
a	M10-1.5 x 90 Hex Head Bolts	2
b	M10 Flat Washers	4
c	M10-1.5 Nylock Nuts	2
d	M8-1.25 x 55 Hex Head Bolts	4
e	M8 Flat Washers	8
f	M8-1.25 Nylock Nuts	4
g	M6-1.0 x 70 Hex Head Bolts	2
i	M6-1.0 x 45 Hex Head Bolts	2
j	M6-1.0 x 35 Hex Head Bolts	2
k	M6-1.0 x 30 Hex Head Bolts	6
l	M6 Flat Washers	14
m	M6 Lock Washers	4
n	M6-1.0 Nylock Nuts	2
o	M6-1.0 Square Nuts	4
q	5/16" Ø, 2-5/8" Useable Length Clevis Pins	4
r	Hairpin Cotter Pins (3/32" wire Ø, 1-3/4" OAL)	4
s	M6 x 40MM Large Phillips Head Flat Screw	8

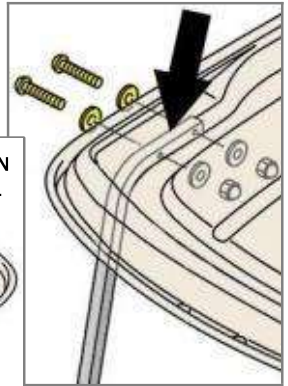
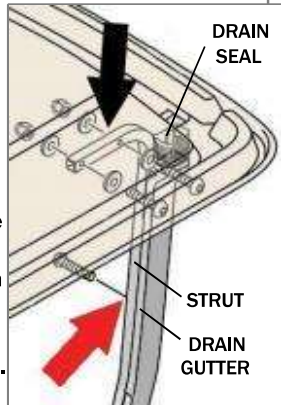
Tools Needed For Installation

- Sockets and Open Ended Wrenches: 10mm, 12mm, 13mm, 17mm
- Allen Wrenches: 4mm, 5mm
- Phillips Screwdriver
- Drill and Drill Bit (3/8")

Installation Preparation

1. Engage parking brake.
2. Turn key OFF.
3. Electric Carts Only: Place Tow/Run Switch in Tow.
4. Remove top and drain seals (black arrows).

NOTE: If reinstalling the top, keep the top attached to the front struts and prop up the rear of the top using a broom handle or similar tool. This will allow for rear seat installation. Retain hardware.

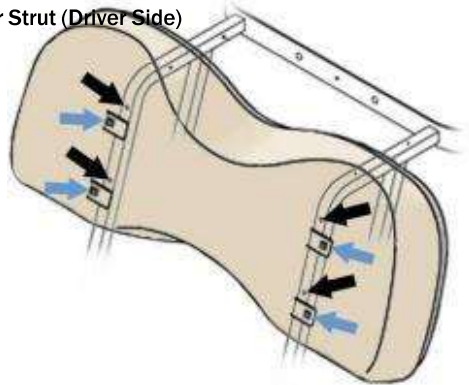


5. Remove drain gutters (red arrow). Retain hardware.

NOTE: There are (2) bolts per drain gutter.

6. Remove the front seat back cushion (black arrows). Retain hardware.
7. Remove rear struts (blue arrows). Retain hardware.

Rear Strut (Driver Side)



8. Remove the access panel. Retain rivets.



9. Remove the seat back support and the bag attachment assembly. Retain hardware.

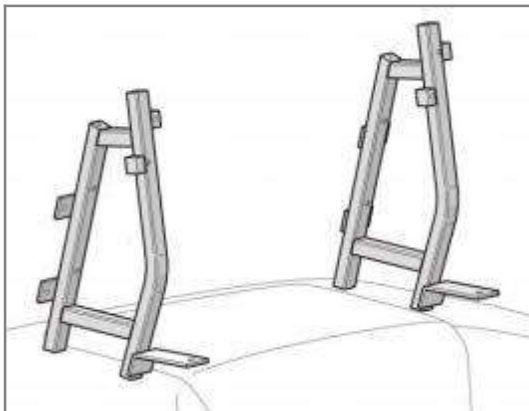


Rear Seat Kit Installation

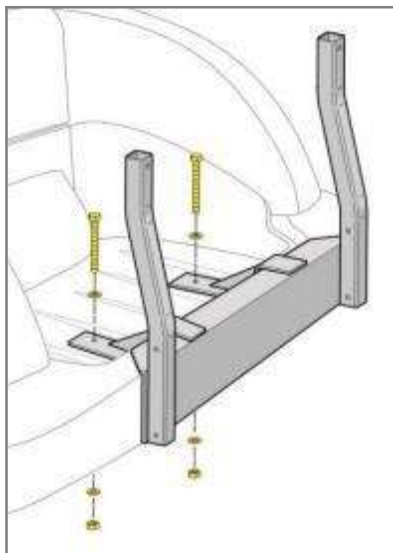
1. Install the new front seat back support brackets where the original bracket was installed using (4) Hardware A and (4) Hardware B.

NOTE: The driver and passenger side brackets are different.

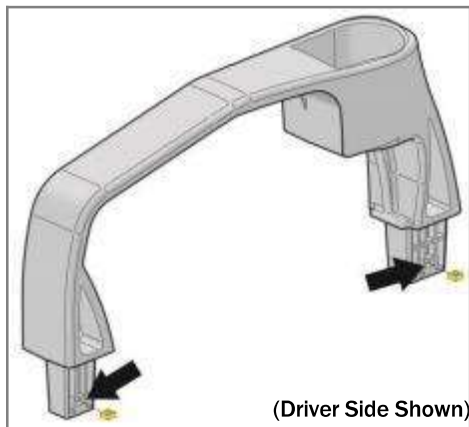
2. Reinstall the access panel using the Original Rivets.



3. Remove the (2) bolts in the bagwell area. Use a 3/8" drill bit to open up the (2) holes that the hardware occupied. Drill completely through the frame.
4. Loosely fasten the vertical support bracket to the bagwell area using (2) Hardware D, (4) Hardware E, (2) Hardware F.

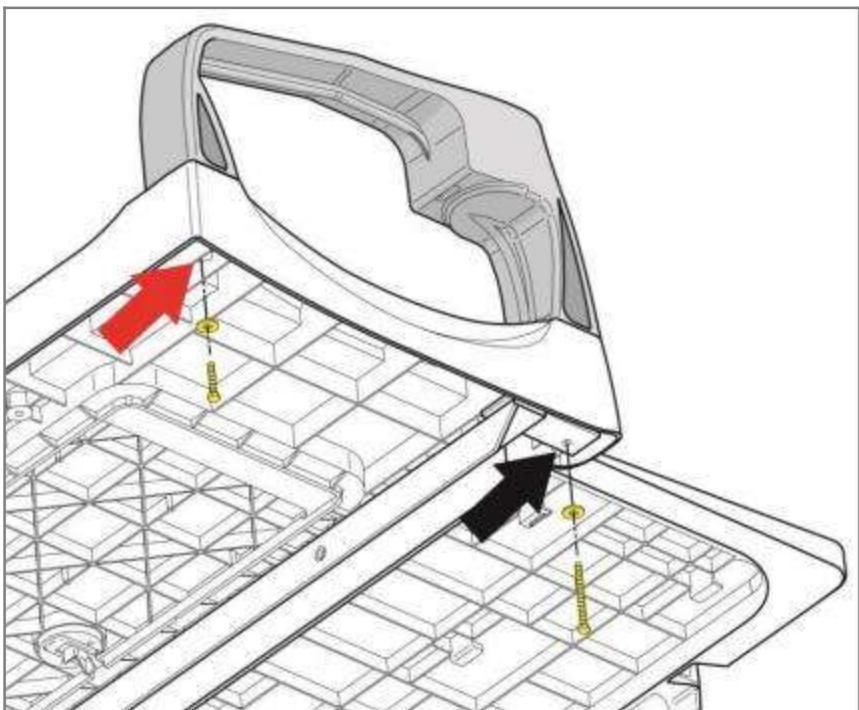


5. Insert the (4) **Hardware N** into the lower portions of the arm rests.

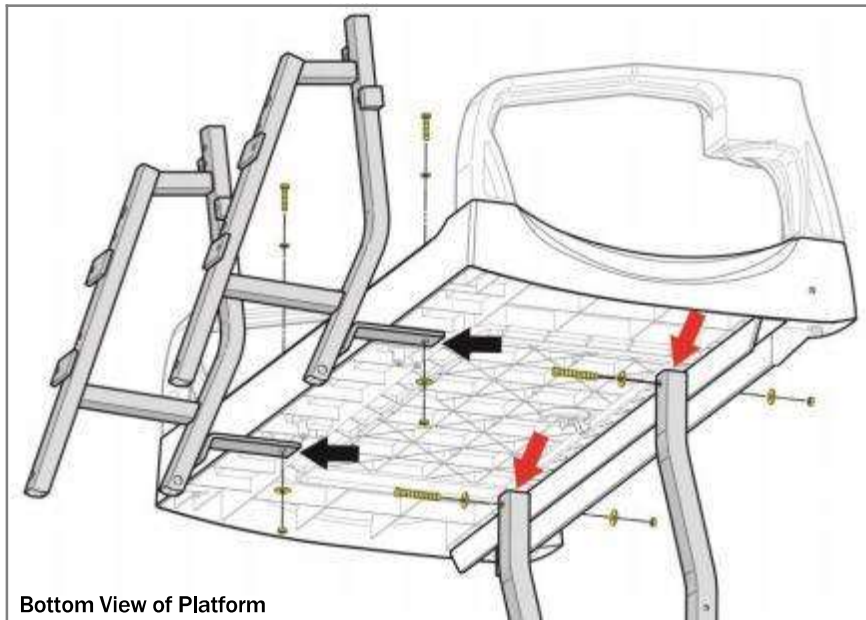


6. Place the arm rests with the square nuts inside of the seat platform as shown. Fasten the arm rests to the platform using (2) **Hardware G** (black arrow), (2) **Hardware H** (red arrow) and (4) **Hardware K**. **Fully tighten with hand tools but do not overtighten. Overtightening will cause damage.**

NOTE: Driver side and passenger side arm rests are different. If oriented correctly, the slots for the square nuts will face the outside of the platform.

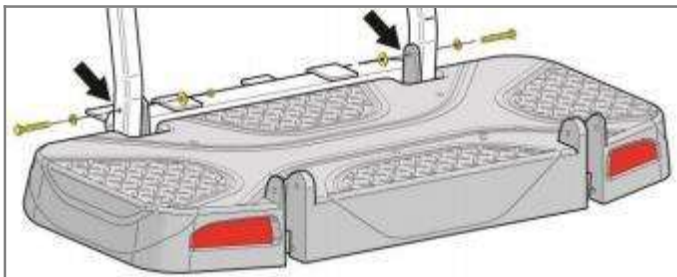


7. Place the platform sub-assembly on top of the seat back support brackets and vertical support bracket. A second installer will be helpful on this step.
8. Loosely fasten the platform to the seat back supports using (2) Hardware J (4) Hardware K and (2) Hardware M (black arrows).
9. Loosely fasten the platform to the vertical support bracket using (2) Hardware C (4) Hardware E and (2) Hardware F (red arrows).



10. Loosely fasten the footplate to the vertical support bracket using (2) Hardware C, (4) Hardware E and (2) Hardware F (upper mounting holes).
11. Secure the footplate to the bottom of the vertical support bracket using (2) Hardware P and (2) Hardware Q (not shown).

STORAGE NOTE:
To save space once assembled, the clevis and cotter pins can be removed to fold the footplate assembly towards the cart.

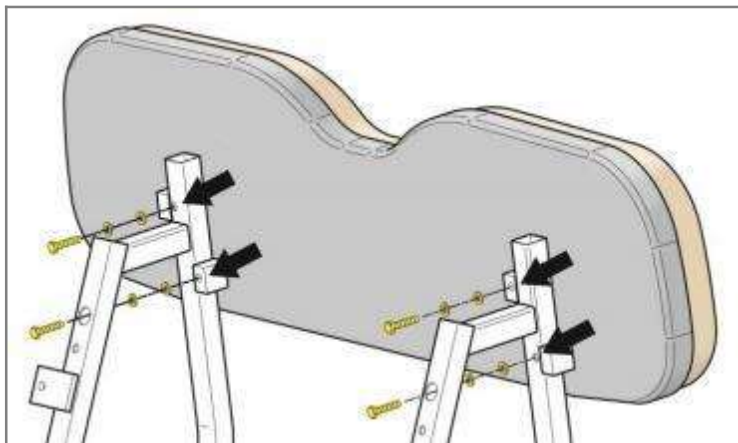


12. Secure the safety grab bar to the footplate using (2) Hardware P and (2) Hardware Q on the upper mounting holes (black arrows) and (2) Hardware i and (2) Hardware K on the lower mounting holes (red arrows).

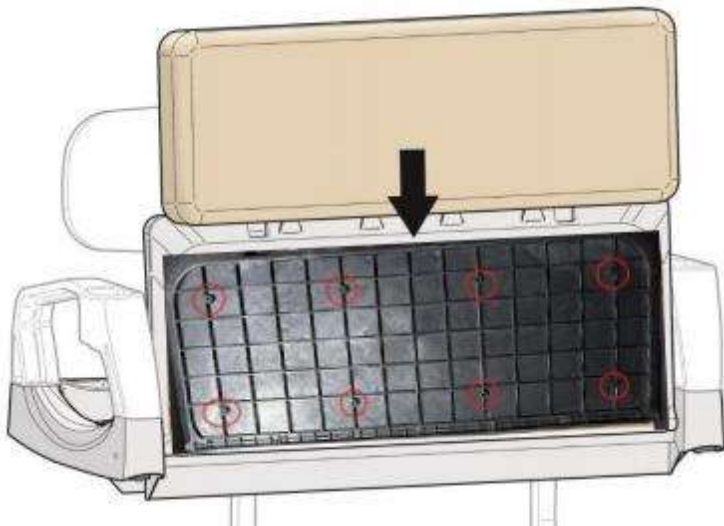


13. Install the front seat back to the new seat back brackets using the Original Hardware.

14. Loosely fasten the rear seat back cushion to the rear seat back brackets using (4) Hardware J, (4) Hardware L and (4) Hardware K. Hand tighten.



15. If reinstalling the OE top, struts and drain gutters, install them to the seat back supports using the Original Hardware.
16. Install bottom seat cushion, use Hardware R (8).



17. Prior to using your TREX Harmony Rear Seat Kit , make sure to tighten ALL hardware left loose in this installation.

This completes the installation of your TREX Harmony Rear Seat Kit. Please enjoy safely!